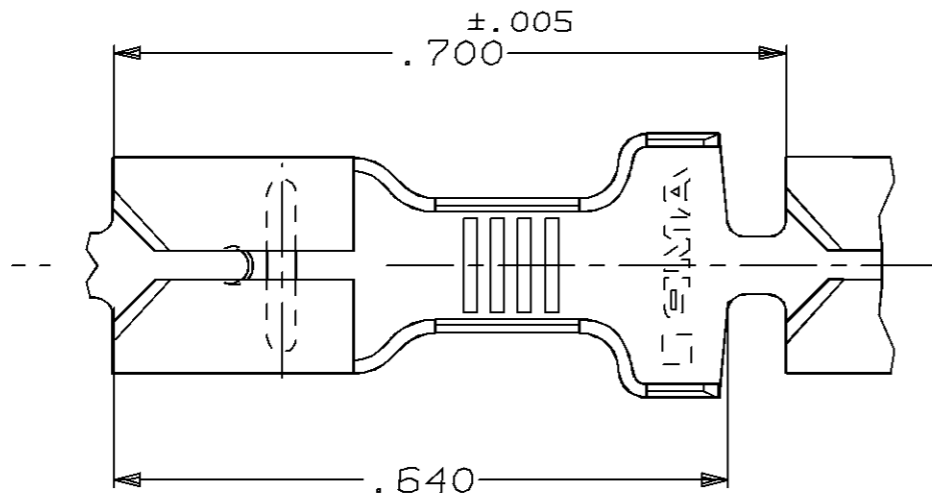
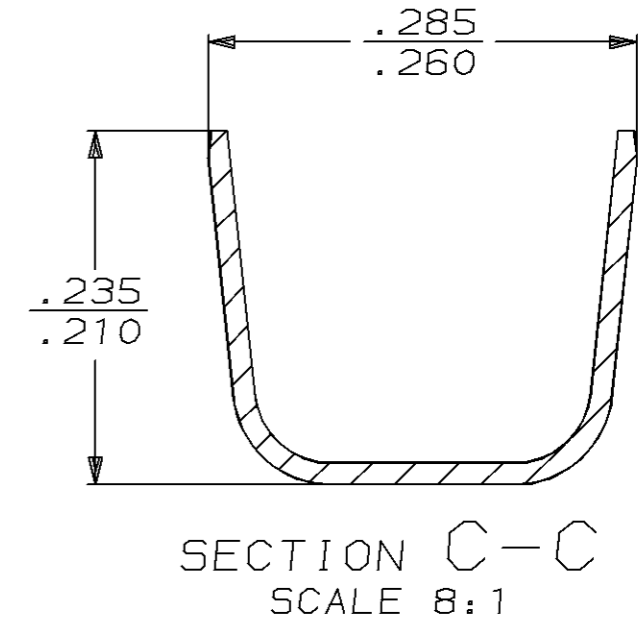
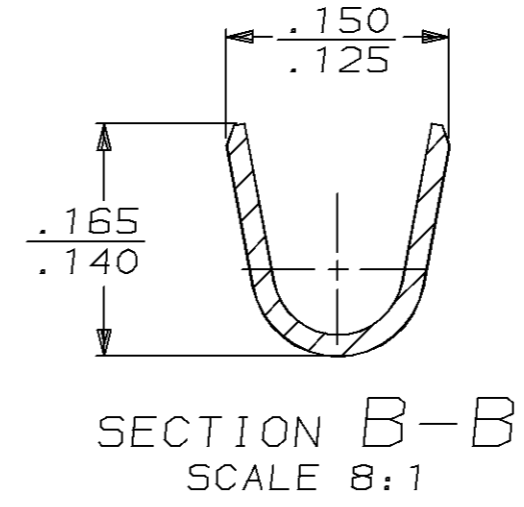
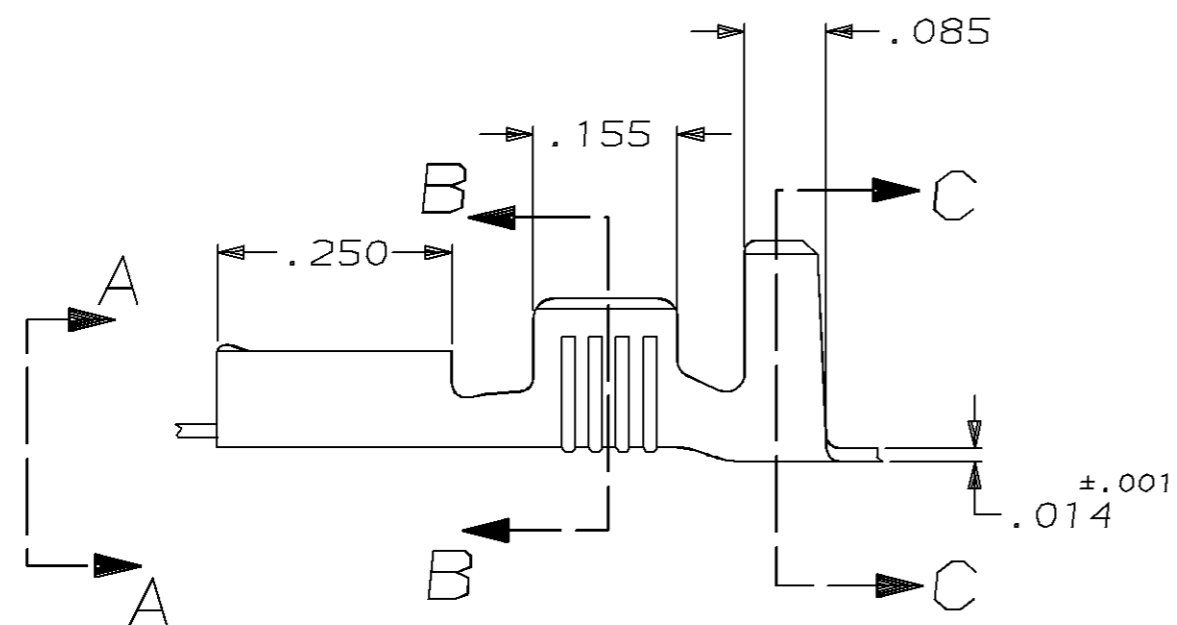
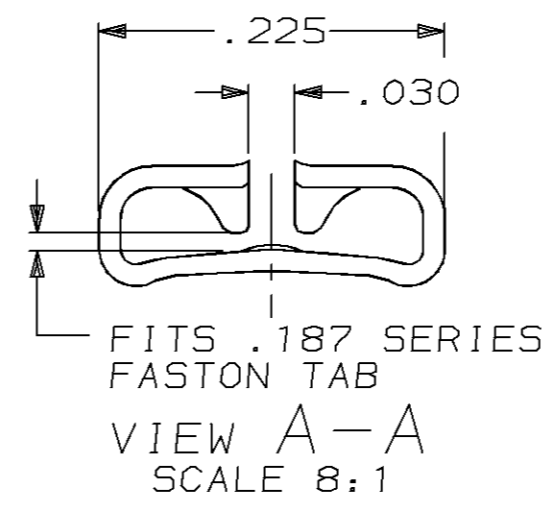


THIS DRAWING IS UNPUBLISHED. RELEASED FOR PUBLICATION, 19
 © COPYRIGHT 19 BY AMP INCORPORATED. ALL INTERNATIONAL RIGHTS RESERVED.

LOC	DIST	P	F	REVISIONS				
				ZONE	LTR	DESCRIPTION	DATE	APPD
AF	50				C	REV PER 0710-0104-96	3/20/96	JR/PD



1 CONTINUOUS STRIP ON REELS.
 2 FINISH:
 63596-1 PLAIN
 63596-2 PRE-TIN



.180 - .230 OR (2) .110 MAX	18-14 OR (2) #16'S	.032	63596-2
INSUL RANGE	WIRE SIZE	MATING TAB THK ±.001	63596-1
DO NOT SCALE PRINT. UNLESS SPECIFIED DIMENSIONS ARE IN INCHES TOLERANCES ON: 2 PLC DEC ± - 3 PLC DEC ± .010 ANGLES ± -	DR 10/4/90 JR RUTH CHK 10/4/90 MS FEHER APPD 10/4/90 C MEYERS	AMP AMP INCORPORATED Harrisburg, Pa. 17105	
MATERIAL #4H BRASS	APPD 10/4/90 R KUZO PRODUCT SPEC -		
FINISH 2	APPLICATION SPEC - WEIGHT -	SIZE B	CAGE CODE 00779
		SCALE 5:1	DRAWING NO 63596
			SHEET 1 OF 1